

Even Old Cars Get a New Lease on Life!



Ceco Opens the Door to a Cleaner Environment

Ceco steel doors and frames are made from up to 63.5% recycled steel, much of which comes from old cars. We give scrap metal new life as high quality doors and frames. In fact, we can produce 20 doors with the steel scrapped from one car!

Not only does recycling steel clean up the environment, it helps keep our natural resources from being quickly depleted.

Go to cecodoor.com for more information.



Ceco uses environmentally-sound practices in the manufacturing and shipping of our hollow metal doors and frames. Let us help as you strive to design "Green" buildings that are safe, secure and aesthetically pleasing.

HD2-Panel Doors

High Definition Embossed Design

- Three available designs:
2 Panel
Arch Top
Plank Arch Top
- Foamed in place polyurethane core provides total surface support, impact resistance and exceptional thermal resistance
- 18 gage galvanized face sheets
- 2868, 2870, 3068, and 3070 sizes
- WH & UL fire ratings up to 3 hours
- ADA compliant designs available



Privacy SideLite Unit

Instant Visual Barrier

Privacy & Security with a flip of a switch.

Innovative "switchable" glass technology changes from clear to opaque with a simple flip of a switch, conveniently providing a more private environment.

It is virtually impossible for potential intruders to see through the sidelite into the room, helping to keep occupants safe.

Optional fail-secure hardware and "switchable" glass can be conveniently operated in unison with one flip of a switch, for quick activation of enhanced security measures.



Madera™

The Beauty of Wood with the Durability of Steel

Ceco Madera doors offer the natural beauty of wood in a durable, fire-rated, stainable steel door.

The wood-grain pattern is actually etched in the metal, not painted on. Six attractive natural stain finishes offer a palate of decorating options. The door is finished with a tough, clear top coat with ultraviolet protectors.

It looks and feels like wood. But it won't warp, rot or otherwise wear and weather like wood.

Doors can be fire rated up to 3 hours following typical fire-rated door restrictions based on series, gage and size.



Sound-Tech™

Acoustical Noise Reduction System

Perfect for classrooms, private offices, or any room that requires a sound barrier.

- 1 3/4" acoustical design rated for heavy through extra heavy-duty use
- For STC 39 through STC 52
- Acoustical core throughout door
- Flush top and seamless vertical edges
- Highly effective high mass noise barrier
- Furnished as a complete system with door, frame, perimeter and bottom sound seals and threshold



Medallion & Imperial Maxim™

The student Proof Door and Frame system

Guaranteed to last as long as the school building Itself.

Medallion Maxim doors were designed for long lasting performance in educational buildings. Internal steel stiffeners, spaced 6" apart, are welded to the 14 gage door face surfaces every 5" for a maximum-duty Level 4 rating. The door features a lifetime warranty.

Imperial Maxim doors contain a foamed in place polyurethane core that provides total surface reinforcement. This gives the well insulated 14 gage seamless door a maximum-duty Level 4 rating. We garrantee the door to last as long as the school building itself.



ArmorShield™

Bullet Resistant Door System

ArmorShield is effective against a wide range of fire arms when used with structures similarly rated.

Designed for buildings such as utility field buildings, cashier islands, ticket booths, currency exchanges, box offices, court-houses, and casinos.

The internal door construction and concealed armorplate vary and are dependent on the required ballistic rating.

Ballistic Level	Level 1	Level 2	Level 3	Level 4
Weapon	Super 38 Auto	.357 Magnum Revolver	.44 Magnum Revolver	30-06 Rifle



Windstorm(Hurricane)

Ceco has been 3rd party certified to the ANSI A250.13 test standard with Underwriters Laboratory, and bear the UL Windstorm label. See our wind-storm matrix at cecodoor.com.

Door Models

Legion or Ultra (polystyrene)
Medallion (steel stiffened)
Imperial (polyurethane)
Regent or Omega (honeycomb)
Versadoor (embossed)

Glass Lights

GlassLam Safety Plus 2 glazing up to HG doors (including multi-light) with Applied window kit

32" x 42" maximum visible, 1344 sq in maximum

1/4" polycarbonate glazing - with Applied window kit

Door Dimensions

14 and 16 gauge face sheets
4'0" x 8'0" maximum x 1-3/4" thickness for singles;
8'0" x 8'0" maximum x 1-3/4" thickness for pairs

3/8" to 3/4" undercut

All Frames, Transom Frames, Sidelight Frames

14 and 16 gauge
5-3/4" to 14" jamb depth

2" face jambs, sills and mul-lions, double rabbet, single rab-bet frames

2" to 4" face heads

Wall anchorage - Existing wall anchors with expansion shells, masonry T anchors, bolts for wood studs

ThruLite™

Stile and Rail Door Assembly

ThruLite doors have a tubular seamless construction and are Level 3 rated for extra heavy-duty use.

Fully welded 16 gage construction make this door ideal for building entrances, schools, hotels, and theaters.

Available with A-60 galvanized metal. Can be fire rated up to 45 minutes.



RestrictDor™

2" Thick Security Door System

Designed for openings where, detention or security must be addressed such as holding areas in courthouses, stadiums, shopping centers, and casinos.



- 2" thick custom construction with a seamless design rated for Extra Heavy-Duty or Maximum, interior or exterior use
- Extra strong 18 gage stiffeners placed 4" apart and welded to the face sheets every 3-1/2 inches
- 16 - 12 gage face sheets available with 12 gage closer reinforcement and 10 gage inverted steel end channels welded to both face sheets

StormPro™

Severe Weather Door System

StormPro, Ceco Door's severe weather door system, is designed to withstand debris from tornado force winds and to help save lives.



The StormPro Severe Weather System meets the rigorous FEMA 361 and 320 guidelines up to 8'0"x 8'0" openings. Heavy duty 14 gage steel door construction with 12 gage internal reinforcements. Frames are constructed with 16 - 14 gage steel with all required anchors.

StormPro 361 and 320 Applications:

- Community Shelters
- Storm Shelters
- Disaster and Tornado Shelters
- School Shelters
- School and Residential 'Safe' Rooms

StormPro is available in single or paired door openings.

**Standard
Door
Features**



Door Thickness	1-3/4	1-3/4	1-3/4	1-3/4	1-3/4
Hinge Reinforcement	7 gage steel	7 gage steel	7 gage steel	7 gage steel	7 gage steel
Core	Honeycomb	Polystyrene	Polyurethane	22 gage vertical stiffeners spaced 6" apart, welded every 5", 450° temp. rise	Solid mineral fiber 250 temp. rise
Face Skins	20, 18, 16 gage	20, 18, 16 gage	20, 18, 16, 14 gage	18, 16, 14* gage *Medallion only	20, 18, 16 gage
Edge Design	Mechanically interlocked, hemmed edge	Mechanically interlocked, hemmed edge	Mechanically interlocked, hemmed edge	Custom visible edge seam or seamless design	Custom visible edge seam or seamless design
Nominal Sizes	2068-4090	2068-4090	2068-4090 2panel 2868-3070 6panel 2668-4070 8panel 2868-3070 Crossbuck & Lites 2868-3070	2068-40100	2068-4080
Galv. Options	Yes	Yes	Yes	Yes	Yes
Door Level ANSI/SDI A250.8	Level 1 - 3	Level 1 - 3	Level 1 - 3	Level 2 - 3	Level 1 - 3
Performance	Up to Level A 1,000,000 cycles	Up to Level A 1,000,000 cycles	Up to Level A 1,000,000 cycles	Up to Level A 1,000,000 cycles	Up to Level A 1,000,000 cycles
Fire Label Rating	20 min, 3/4 hr, 1-1/2 hr, 3 hr	20 min, 3/4 hr, 1-1/2 hr, 3 hr	20 min, 3/4 hr, 1-1/2 hr, 3 hr	20 min, 3/4 hr, 1-1/2 hr, 3 hr	20 min, 3/4 hr, 1-1/2 hr, 3 hr

Sight Light™
Light Guide Egress System

Frames

Sight Light frames illuminate the frame perimeter for fast identification of exits. These frames are fire-rated up to 3 hours and UL listed. They are available in singles, pairs, or double egress pairs.

Doors

Low level exit signs are located 10" from the floor for added security. With Sight Light technology the visibility of the EXIT sign is maximized even in smoky or dark conditions.

Go to www.liteguide.com for more information.



Security Sidelite Unit
Provides a Visual Barrier to Potential Intruders

- Perfect for classrooms, post offices airports and government facilities
- Provides a visual barrier when required
- WH fire rated for 45 minutes, 90 minute rating available with approved fire glass
- Available with either hollow metal or wood doors
- Jamb depths available 6-3/4" or larger

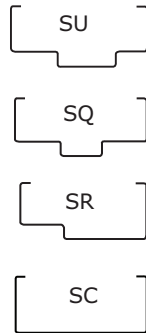


Standard Frames

For Masonry, Wood, or Metal Stud Wall Applications

Standard frames for masonry, wood, or metal stud walls. Ceco Door frames have precision die-cut corners with positive locking tabs to assure rigid assembly connections. Available in 16, 14, or 12 gage CRS or GALV. steel. Frames can be made in many profiles in either knock-down or set-up & welded. Frames are factory prime painted and can be Colorstyle painted.

- Stocking and make to order depths from 3" to 14"
- Fire Rated up to three hours (UL10B, UL10C and UBC 7-2)

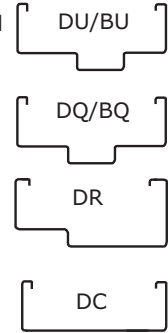


Drywall Frames

For Before and after Drywall Applications

Ceco Door Drywall Frames are engineered to be installed on standard or non-standard wall sizes over pre-finished or unfinished drywall board. KD frames available in CRS or GALV. 18, 16, or 14 gage steel. Frames are factory primed painted and can be Colorstyle painted.

- Stocking and made to order depths from 3-5/8" to 14"
- Fire Ratings by Underwriters Laboratories (Applied or Embossed), Warnock Hersey (Applied or Embossed), Factory Mutual (Applied Only)



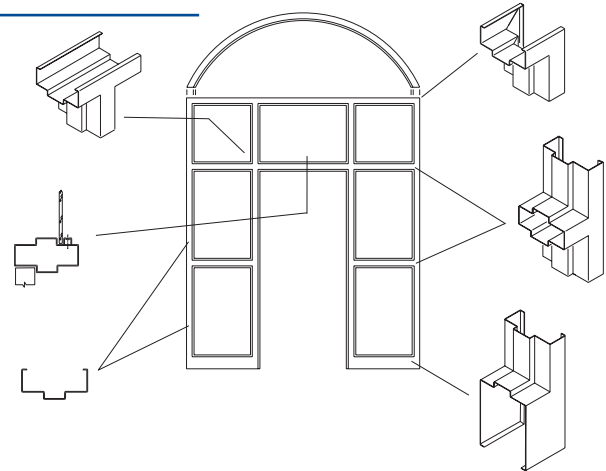
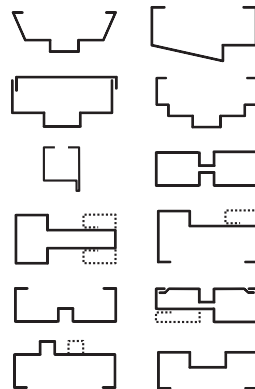
Custom Frames

Special profile, Sidelites, Borrowed Lites, and Transom Frames

Ceco Door custom frames are available in hundreds of made to order combinations, profiles and backbends to suit your design needs. Ceco Door's manufacturing capabilities go well beyond most hollow metal manufactures abilities.

Available Features:

- 18, 16, 14, or 12 gage steel
- Cold rolled A-60 galvanized or G90 galvanized steel
- Underwriters Laboratories, Warnock Hersey and Factory Mutual fire labels

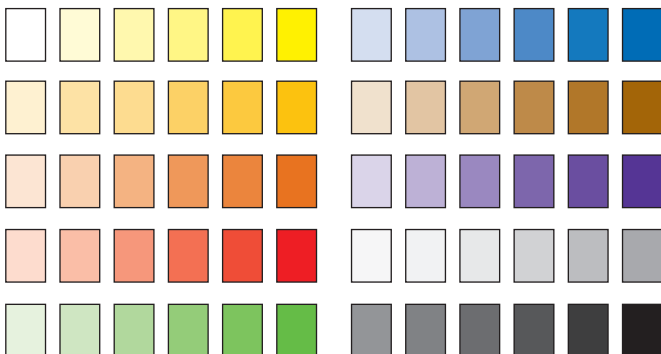


Colorstyle™

Door and Frame Factory Finishing

Colorstyle doors and frames are factory finished commercial grade, standard or custom, full flush or seamless designs with flat blemish-free faces. Doors and frames are cleaned, phosphatized, primed, and electrostatically painted for a superior color finish.

An array of sample colors are shown below; over 1,900 palette colors available.



Door Designs

Lites, Louvers, and Embossed Panels

Flush Doors and Doors with Lites



Doors and Louvers



Embossed Panel Doors

