

SERIES DQ and DU DRYWALL FRAMES INSTALLATION INSTRUCTIONS

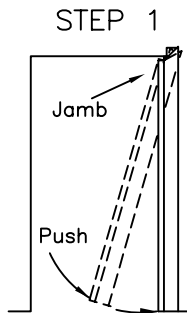
(DOES NOT APPLY TO CASSED OPENING FRAMES)

TO DETERMINE ROUGH OPENING:

ADD 2" TO DOOR OPENING WIDTH
ADD 1" TO DOOR OPENING HEIGHT

e.g., For a 3068 door opening, the rough opening is: 38" x 81"

PROCEDURE

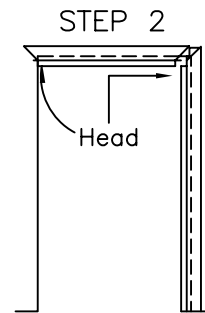


STEP 1

- Begin installation by pushing the top of one jamb over the wall.
- Hold the top in place then push the bottom in towards and over the wall.

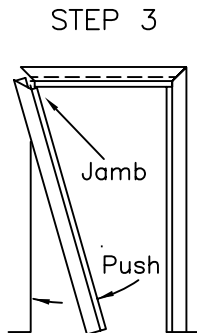
STEP 2

- Position frame head over the wall.
- Align head tabs with jamb slots then slide head towards jamb and engage tabs in slots.



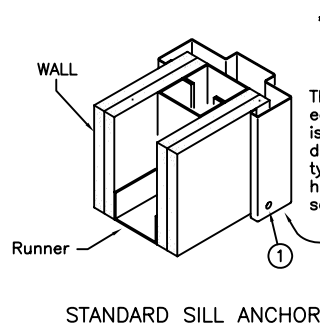
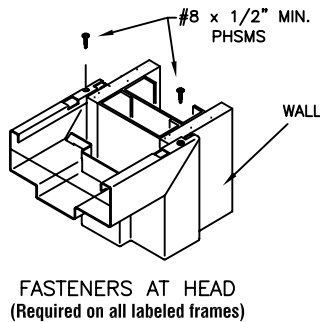
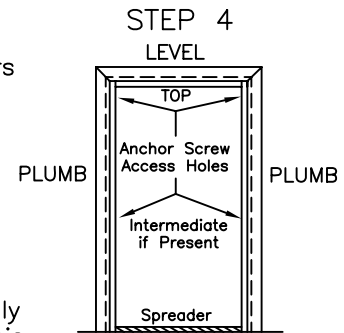
STEP 3

- Push the top of the remaining jamb over wall and mate jamb slots and head tabs.
- Push the bottom of this jamb in towards and over the wall.
- Level the head.



STEP 4

- Insert screw driver into top plumb anchor. Alternately adjust top plumb anchors until they bear firmly against studs.
- Note: Step B. below is required for labeled frames** Insert (4) #8 x 1/2" MIN. (Phil) PHSMS through holes in head backbends and fasten to jamb miter guides.
- Plumb hinge jamb and fasten at sill.*
- Verify that head is still level.
- Place a temporary wood spreader between jambs at sill. Adjust strike jamb to fit firmly against spreader and fasten at bottom of this jamb.*
- Adjust intermediate plumb anchors (if present) until they too bear firmly against studs
- Install mutes in holes provided in door stops.



** Some installers prefer to hang door and fit frame to door prior to anchoring at sill.*

The bottom of each jamb face is punched and dimpled for a type "S" bugle head, drywall screw

① Insert fasteners (not included) and fix jamb to wall framing

