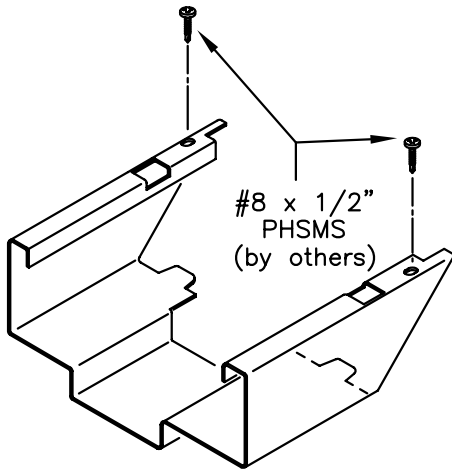


ASSA ABLOY FRAME INSTALLATION

LABELED & NON-LABELED

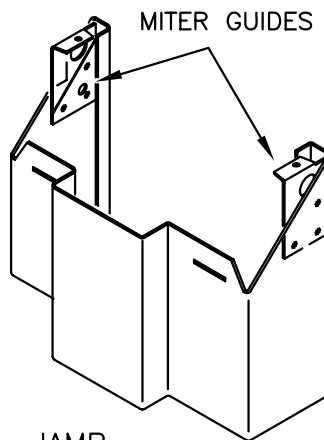
SERIES B BEFORE the DRYWALL-FRAME

(KD FRAMES ASSEMBLED AND ERECTED BEFORE WALL FRAMING)

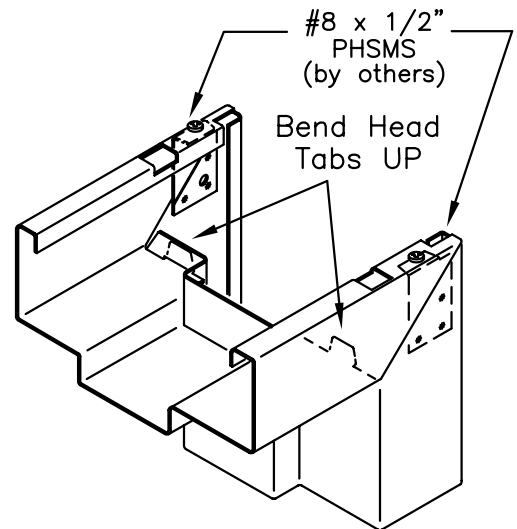


HEAD

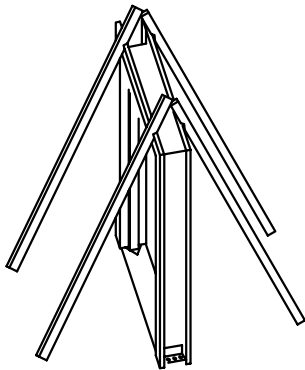
ASSEMBLY OF FRAME



JAMB



CORNER ASSEMBLY



BRACING THE
FRAME

INSTALLATION INSTRUCTIONS

STEP 1 Assemble KD components (head and jambs) by slipping ends of head over miter guide guides attached to the top of jambs. Draw corner joint closed. Fasten head to jamb (through miter guides) with #8 x 1/2" PHSMS (4) places total (by others). BEND HEAD TABS UP AS SHOWN.

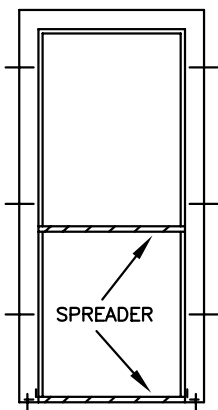
STEP 2 If not already welded in place, install floor and jamb anchors

STEP 3 Erect and brace frame as shown. Plumb and square jambs, level head, and shim jambs as necessary. Set temporary wood spreaders at bottom and at mid-point to maintain a constant door opening width from head to sill.

STEP 4 Attach jambs to floor through floor anchors.

STEP 5 Construct wall rough-opening by assembling wall framing members around door frame.

STEP 6 Bend anchor tabs around wood stud and nail tabs to stud --or-- fasten metal stud to anchor flange with sheet metal screws from backside. Check plumb and square of frame after attaching jamb anchors to studs. Install mutes in holes provided in strike jambs.



PLUMBING AND SQUARING
THE FRAME

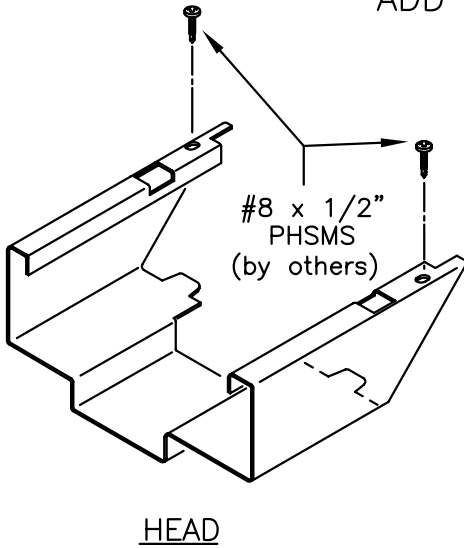
FRAME INSTALLATION

LABELED & NON-LABELED

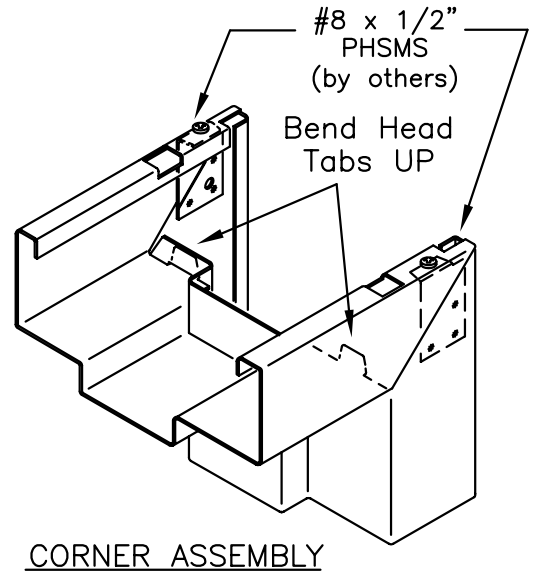
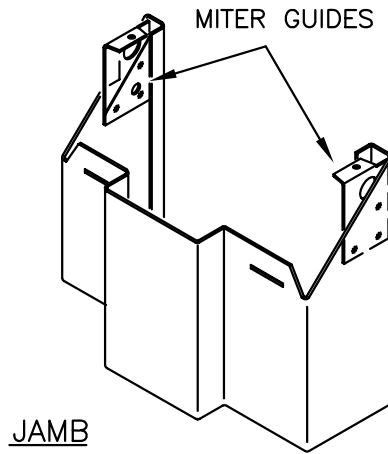
SERIES B BEFORE the DRYWALL-FRAME

(KD FRAMES ASSEMBLED AND ERECTED AFTER WALL FRAMING)

ROUGH OPENING: ADD 1/8" TO OVERALL FRAME HEIGHT AND
ADD 3/8" TO OVERALL FRAME WIDTH

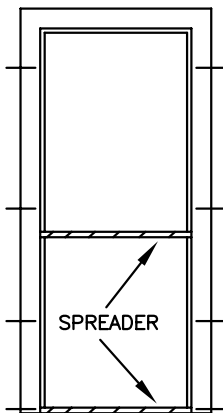


ASSEMBLY OF FRAME



INSTALLATION INSTRUCTIONS

- STEP 1 Construct and size rough opening in wall framework as indicated above.
- STEP 2 Assemble KD components (head and jambs) by slipping ends of head over miter guides attached to the top of jambs. Draw corner joint closed. Fasten head to jamb (through miter guides) with #8 x 1/2" PHSSMS (4) places total (by others). BEND HEAD TABS UP AS SHOWN.
- STEP 3 If not already welded in place, install jamb anchors (including one at sill).
- STEP 4 Erect and center door frame in rough opening. Plumb and square jambs and level head. Shim jambs as necessary. Set temporary wood spreaders at sill and at mid-point to maintain constant door opening from head to sill.
- STEP 5 Bend anchor tabs around wood stud and nail tabs to stud --or-- fasten metal stud to anchor flange with sheet metal screws from backside. Check plumb and square of frame after attaching jamb anchors to studs. Install mutes in holes provided in strike jambs.



PLUMBING AND SQUARING THE FRAME